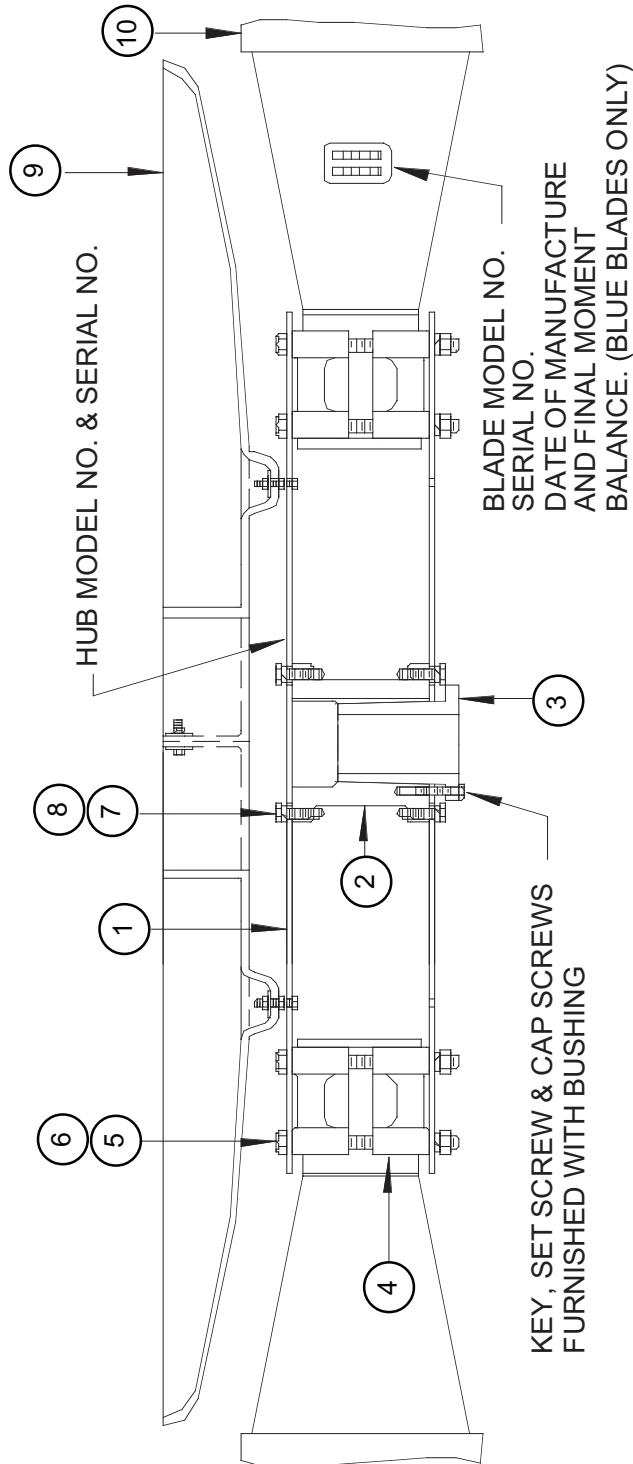


5000 Series Tuf-Lite Fans



PROJECT NAME AND LOCATION:			
MODEL NO.:			
DWG NAME:			
DRAWING NUMBER: A-100	JOB NUMBER:	SHEET 1 of 1	REV: 0
SCALE: NO SCALE	COMMENTS:		

THIS DRAWING IS THE SOLE PROPERTY OF COOLING TOWER DEPOT INC. USE SHALL BE LIMITED TO THE PROJECT FOR WHICH IT IS INTENDED, NO REPRODUCTION SHALL BE MADE NOR SHALL THIS INFORMATION BE MADE AVAILABLE TO THIRD PARTIES WITHOUT THE PRIOR WRITTEN CONSENT BY COOLING TOWER DEPOT INC. ANY AND ALL PROPRIETARY RIGHTS TO THIS INFORMATION AND DESIGN ARE THE SOLE PROPERTY OF COOLING TOWER DEPOT INC.

REVISIONS					
REV.	DESCRIPTION	DESIGNED BY:	CHECKED BY:	APPROVED BY:	DATE:
0					
1					
2					
3					
4					

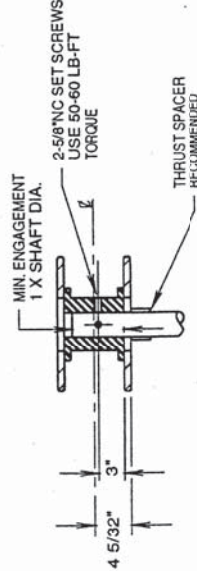
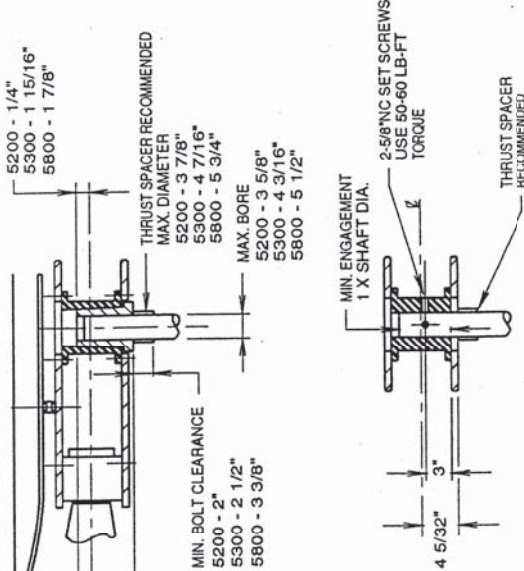
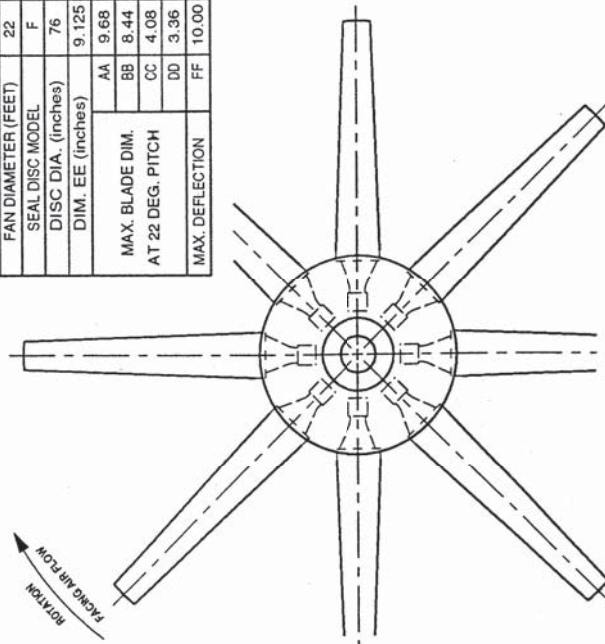
COOLING TOWER DEPOT, INC
CORPORATE CIRCLE
GOLDEN, CO 80401
720-746-1234

REV:	0	SHEET	1	OF	1
JOB NUMBER:		SCALE:	NO SCALE		
DWG NUMBER:	A-100				

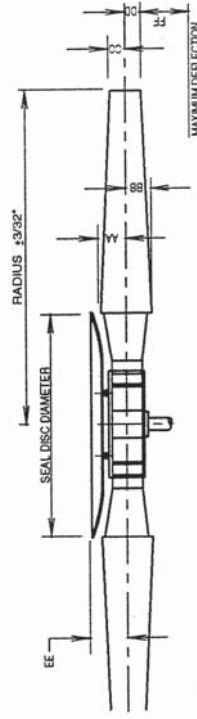
5000 Series Tuf-Lite Fans

HS No.	HUB MODELS			FAN WEIGHTS					
	R-2	S-2	STR.	U-1	22	24	26	28	30
6	5206	5306	5406	5806	1168	1234	1298	1358	1400
7	5207	5307	5407	5807	1277	1297	1429	1499	1548
8	5208	5308	5408	5808	1387	1475	1559	1639	1695
9	5209	5309	5409	5809	1497	1596	1690	1780	1843
10	5210	5310	5410	5810	1597	1717	1821	1921	1991
11	5211	5311	5411	5811	1716	1837	1952	2062	2139
12	5212	5312	5412	5812	1826	1958	2082	2202	2286

STANDARD DIMENSIONS - MODEL H BLADES										
FAN DIAMETER (FEET)		22	24	26	28	30				
SEAL DISC MODEL		F	F	G	G	G				
DISC DIA. (inches)		76	76	88	88	88				
DIM. EE (inches)		9.125	9.125	10.125	10.125	10.125				
MAX. BLADE DIM.		AA	9.68	9.84	9.97	10.07	10.19			
AT 22 DEG. PITCH		BB	8.44	8.61	8.76	8.87	9.00			
MAX. DEFLECTION		CC	4.08	3.75	3.42	3.14	2.81			
		DD	3.36	3.09	2.82	2.59	2.32			
		FF	10.00	11.00	12.50	14.00	14.00			



- FOR HUB INSTALLATION AND OPERATION SEE MANUAL IN 5000H.
- THRUST SPACER RECOMMENDED IF GEAR BOX SHAFT HAS NO SHOULDER.
- SPECIAL TAPERED BORES AVAILABLE.
- THE AA, BB, CC, DD DIMENSIONS CAN VARY AS MUCH AS 1/2" DEPENDING ON HOW THE BLADES ARE TRACKED.
- A MINIMUM CLEARANCE OF DIMENSION FF UNDER BLADE TIPS IS REQUIRED.



ACFM	STATIC PRESS.	ALT.	IN. WATER
TEMP.	° F	DENSITY RATIO	FT.
FAN R.P.M.	°	PITCH ANGLE (APPROX.)	0 to —
R.S.	0	FAN MODEL	HUB MODEL
BLADE	BORE	KEYWAY	
QTY.		HUDSON JOB NO.	DATE
P.O. NO.		APPROVED	DRAWING NO.
HUDSON PRODUCTS CORPORATION HOUSTON, TEXAS			CP-5000H
CERTIFIED PRINT			

CRG	RCM	CRG	RCM	CRG	RCM	CRG	RCM	CRG	RCM	DATE
1	1	2	2	3	3	4	4	1/23/95	1/23/95	



PROJECT NAME AND LOCATION:			
MODEL NO.:			
DWG NAME:			
DRAWING NUMBER:	JOB NUMBER:	SHEET	REV:
A-100		1 of 1	0
SCALE:	COMMENTS:		
NO SCALE			

REVISIONS			
REV.	DESCRIPTION	DESIGNED BY:	CHECKED BY:
0			
1			
2			
3			
4			

COOLING TOWER DEPOT, INC
CORPORATE CIRCLE
GOLDEN, CO 80401
720-746-1234

JOB NUMBER:	NO SCALE
SCALE:	NO SCALE
REV:	0
SHEET:	1 of 1
DWG NO.:	A-100